

SuperSWASH Single / Twingo

DIRECT SPRAY AGAINST SURFACE TECHNOLOGY



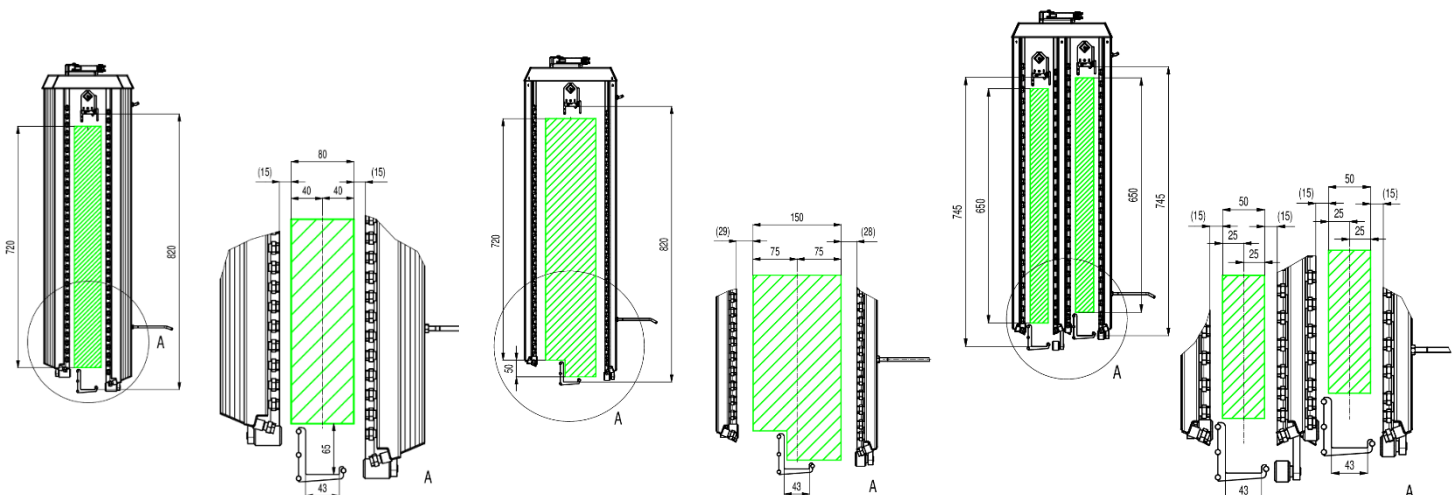
Single configuration

Usable space between the nozzles is 80 mm
(40 mm from axis to one and to second side)

Usable space between the nozzles is 150 mm
(75 mm from axis to one and to second side)

Twingo (double) configuration

Usable space between the nozzles is 40 mm
(20 mm from axis to one and to second side)



Machine types

SuperSWASH II Wash (Heat to 60 °C) + Rinse (Tap water or DI water) + Drying
SuperSWASH III Wash (Heat to 60 °C) + 1 st Rinse (Tap water or DI water) + 2 nd Rinse (DI water) + Drying
SuperSWASH IV Wash (Heat to 60 °C) + 1 st Rinse (DI water, Cascade) + 2 nd Rinse (DI water, Cascade) + 3 rd Rinse (DI water external) + Drying

Machine process phases

SuperSWASH	II	III	IV
Total number of cleaning phases	3	4	5
Washing	Cleaning medium	Cleaning medium	Cleaning medium
Rinsing	Tap or DI water	Tap or DI water	DI water
		DI water	DI water DI water with suction in or External DI water
Drying	Hot air	Hot air	Hot air

Process data

SuperSWASH Single

Max. usable space: WxLxH (W-left/right, L-front/rear, H-height)	835 x 80/150 x 816 mm
Typical consumption of cleaning agent without load (per one cycle)	0.1 liter
Stencils capacity/dimension	1 pc / 32"
Stencils typical total cycle time	7 - 12 min
Stencil typical quantity per hour	5 - 8 pcs
Stencils typical consumption / cycle (cleaning agent)	0.15 liter
PCB defluxing and Misprints - max usable area at the disposal	0.6 m ²
Max load eurocards (100x160mm) per one cycle	20 pcs
PCBA + Misprints eurocards (100x160mm) typical total cycle time	20 - 40 min
PCBA + Misprints eurocards (100x160mm) typical quantity per hour	40 - 60 pcs
PCBA + Misprints typical consumption / cycle (depends on PCB shape and pollution)	0.2 - 0.3 liter

Typical consumption and typical time are based on values from the field, however cannot be guaranteed because of other factor influence

SuperSWASH Twingo

Max. usable space: WxLxH (W-left/right, L-front/rear, H-height)	835 x 40 x 740 mm (2x)
Typical consumption of cleaning agent w/o load (per one cycle)	0.1 liter
Stencils capacity/ dimension	2 pc / 29"
Stencils typical total cycle time	7 - 12 min
Stencil typical quantity per hour	10 - 16 pcs
Stencils typical consumption / cycle (cleaning agent)	0.2 liter
PCBA defluxing and Misprints - max usable area at the disposal	2x 0.5 m ²
Max load eurocards (100x160mm) per one cycle	40 pcs
PCBA + Misprints eurocards (100x160mm) typical total cycle time	20 - 40 min
PCBA + Misprints eurocards (100 x 160 mm) typical quantity per hour	80 - 120 pcs
PCBA + Misprints typical consumption / cycle (depends on PCB shape and pollution)	0.25 - 0.35 liter

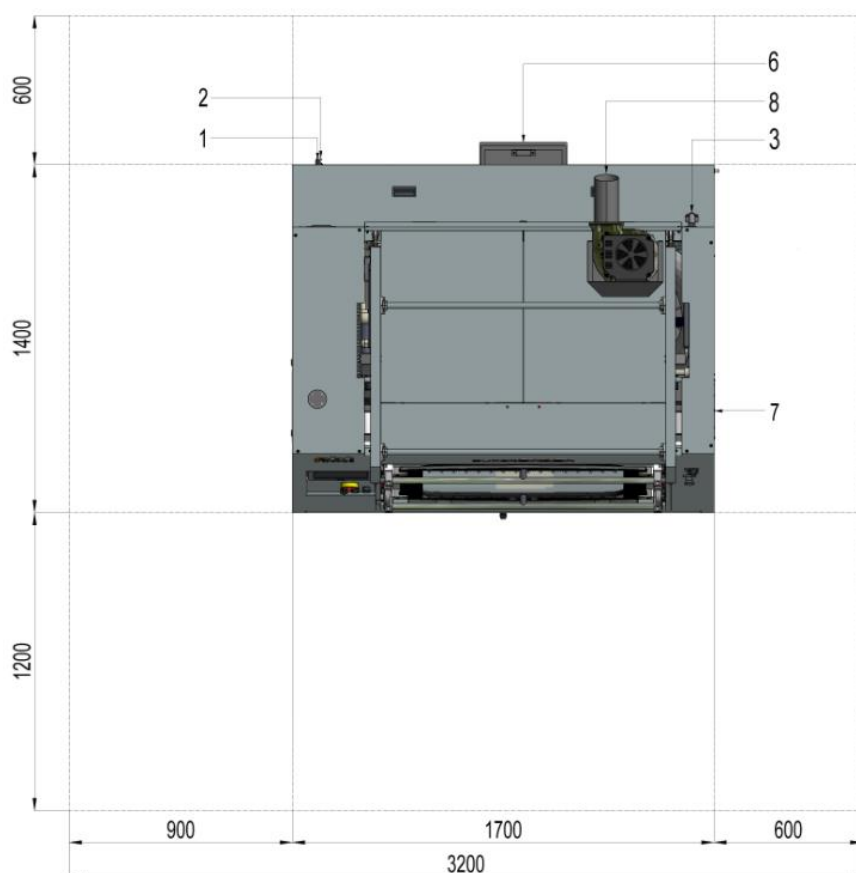
Typical consumption and typical time are based on values from the field, however cannot be guaranteed because of other factor influence

Technological Data

SuperSWASH	II	III	IV	
Weight (without liquid)	520	590	630	kg
Power input (according to the configuration)	15-20	16-23	16-23	kVA
Washing Pressure on the nozzles max/min	3/2,5	3/2,5	3/2,5	bar
Open Rinse (mech. filtration)- pressure on the nozzles	3/2,5	3/2,5	-	bar
Closed Rinse (mech.+DI water filters) - pressure on the nozzles	3/2,5	3/2,5	3/2,5	bar
Machine noise level	L _A (eqv) < 70			dB
Washing decanter volume max/min	61/40	57/38	57/38	liter
1 st rinsing decanter volume max/min	61/40	42/28	33/28	liter
2 nd rinsing decanter volume max/min	-	57/38	59/38	liter
3 rd external rinsing reservoir volume max/min	-	-	72/13	liter
Cleaning medium temperature (option)	Up to 60			°C
Rinsing water temperature (option)	Up to 40			°C
Drying temperature	Up to 110			°C
Number of program registers (settings)	99			
Working area (left - right limit)	0-850			mm
Machine dimension W x L x H	1 700×1 300×2 000	1 700×1 500×2 000		mm

Necessary free space

Super SWASH top view:



From the front side minimal 1,2 m space for machine operation (and for withdrawal of emergency pan with decanters)

From the right side minimal 0,6 m for discharge of working liquids

From the left side minimal 0,9 m accessing area into switchboard (conformable to directive IEC 60364-1:2005) and accessing area to manual discharge ball valve

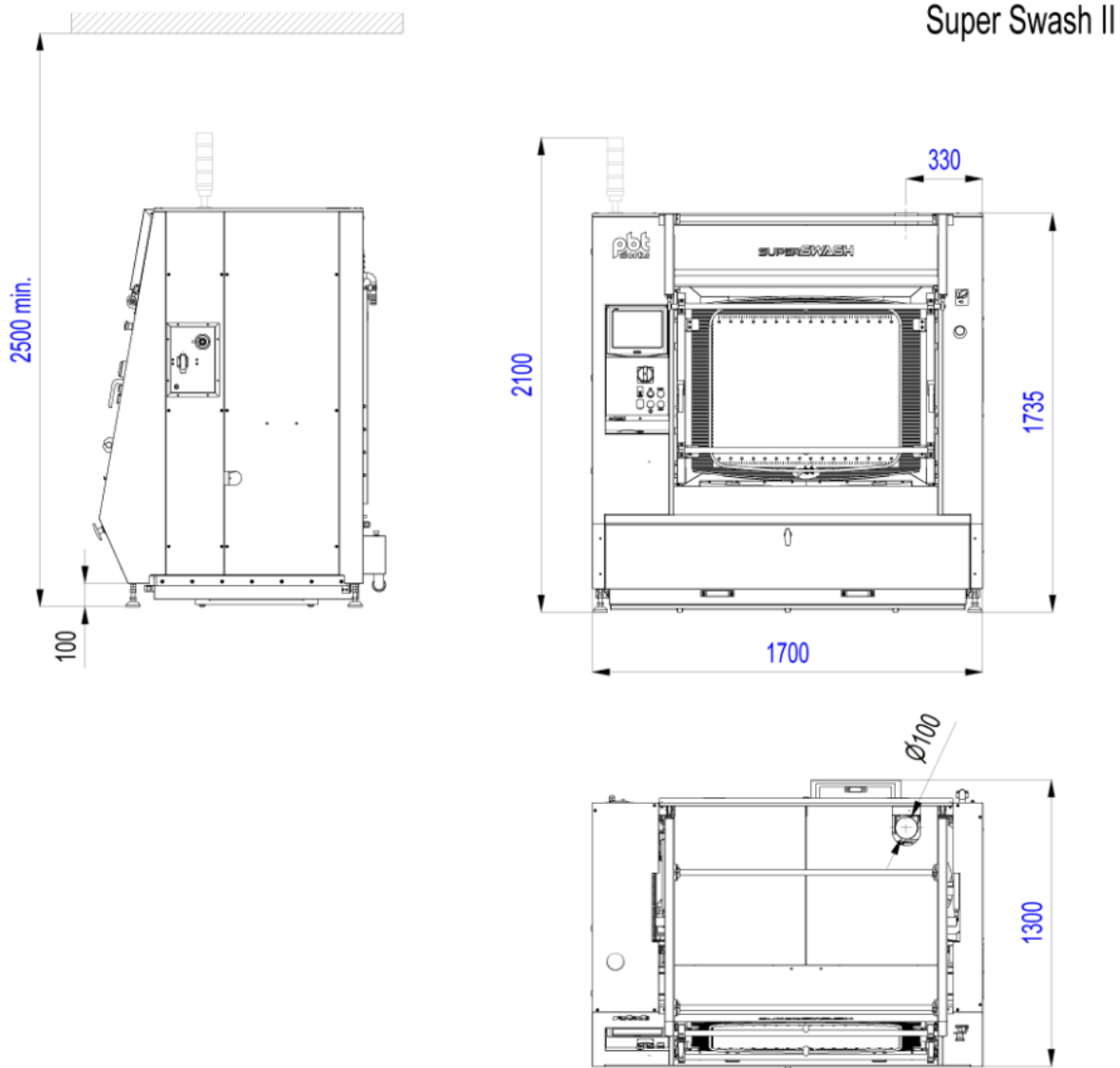
From the rear side minimal 0,6 m space for machine maintenance (filter pads replacement etc.)

Ceiling height minimal 2,5 m space for door opening

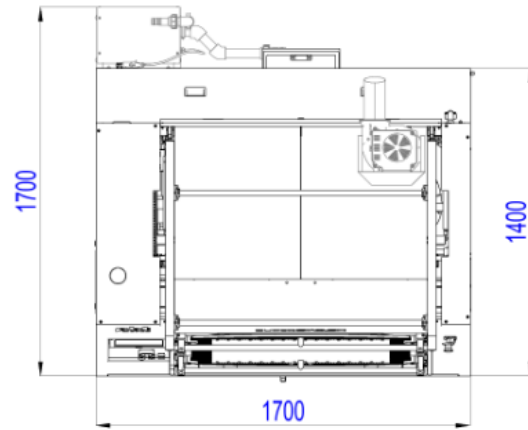
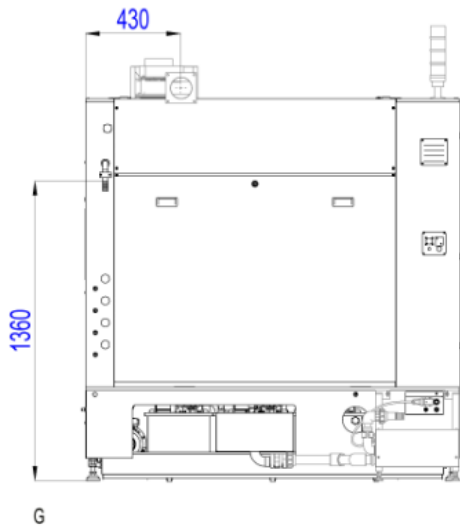
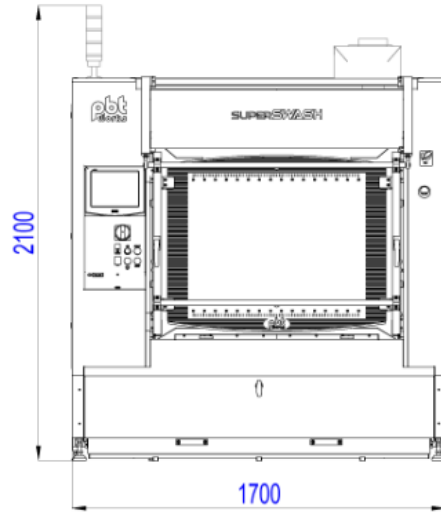
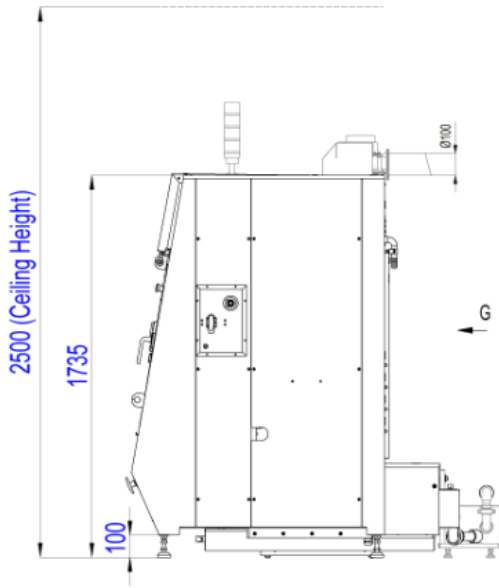
Connection

Electric mains:	Voltage: 3x 400/230 V, 50 Hz Protection: 3x B 32 A Connection: 3, N + PE (five-wire plug 32 A)
Pressure air:	Pressure: 0,6-0,8 MPa Class of air quality: 3.4.3. (according to ISO 8573-1) Connection: hose SMC \varnothing 8 mm
Water inlet:	Capacity: max. 30 l/min Connection: hose 1"
Waste water outlet (from 1 st rinse circuit)	Thread G 5/4" <i>Note: Drain output height: 90 mm, pipe slope 1:100, max. pipe length 2 m.</i>
Air exhaust:	Capacity: min. 400-450 m ³ /h, under-pressure 1 000-1 500 Pa Connection: hose \varnothing 150 mm

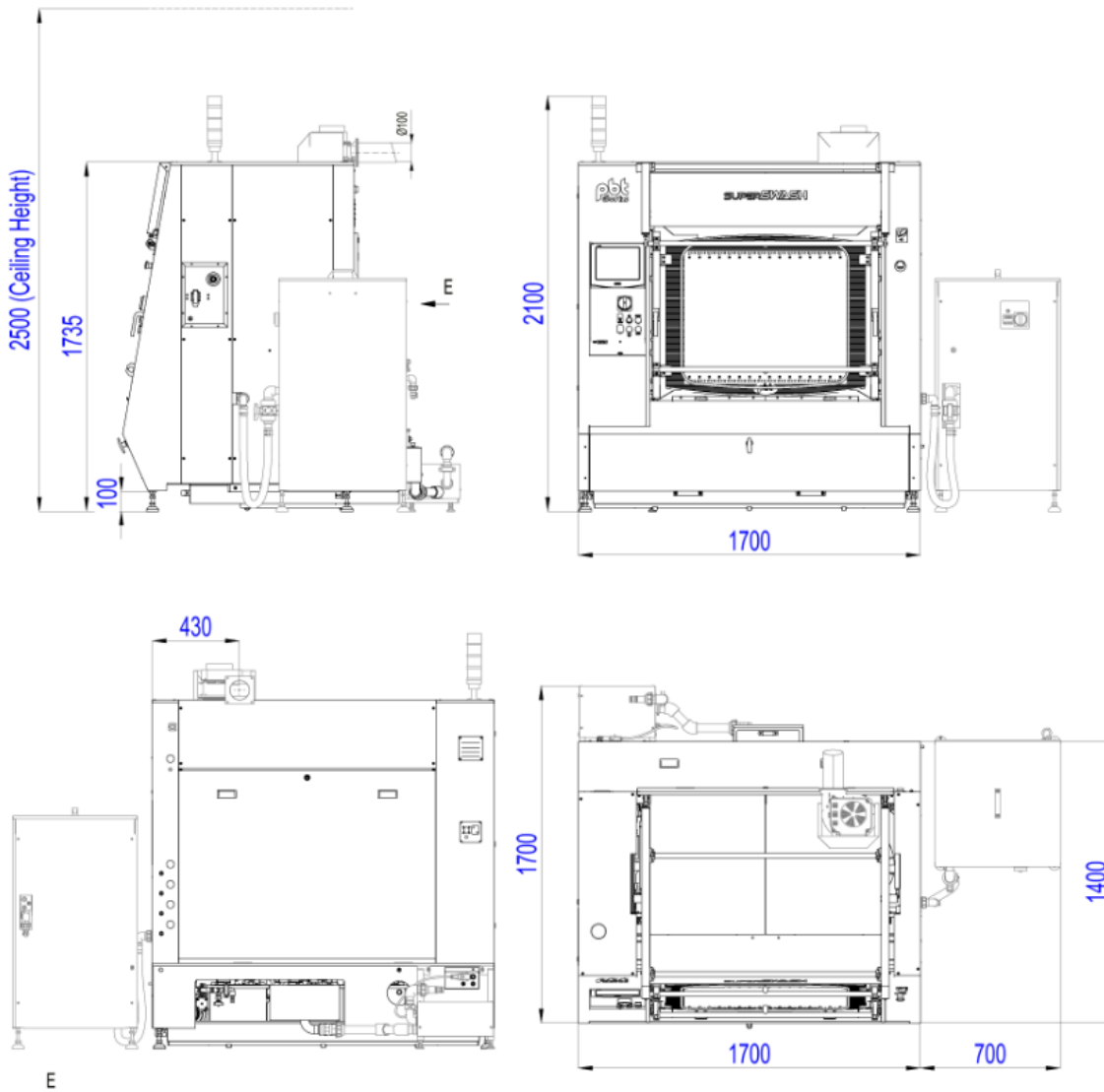
Dimension



Super Swash III



Super Swash IV



Note:

The height of machine with exhaust fan is about +200 mm = 2 000 mm

The width of machine with revolving frame holder is about +400 mm = 2 100 mm